

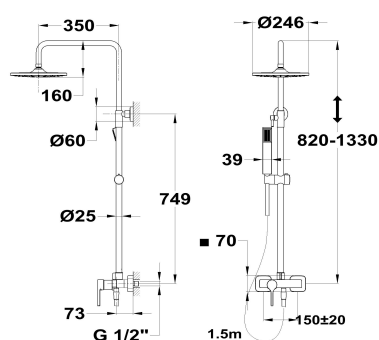


DESSIN

## Single lever shower system

Ref: 30298020C3 EAN: 8413509267027

Finish: Chrome



- Adjustable telescopic rail.
- Ø24.6 cm Metal antiscaling shower head with ball joint.
- 1 function antiscaling hand shower.
- 1.5 m PVC shower hose.
- Sliding shower holder.
- Precise and smooth ceramic cartridge.
- Integrated diverter.
- Filters for collecting impurities.
- Check valves.

## Downloads

User guide

### Legal disclaimer:

\*Certain technical factors and features of our finishes may be altered due to possible variations in the configuration of your computer and/or printer; these data are therefore only approximate and not definitive. We regularly review our product specifications to improve their characteristics and warranties. Please request detailed information from our sales department for any building or refitting projects.