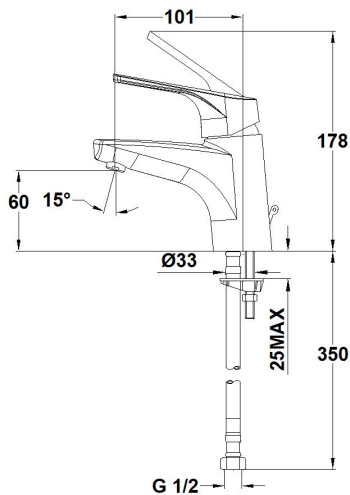


**MT PLUS****M washbasin mixer**

Ref: 46346S810 EAN: 8413509206026

Finish: Chrome



- Precise and smooth ceramic cartridge.
- Water flow limiter 5 L/min.
- Save up to 60% compared to a standard tap.
- Ideal for BREEAM and LEED projects.
- 3/8" flexible inlet pipes included.
- Anti-limescale aerator.
- Without drain stopper.

**Iconos****Downloads**[User guide](#)**Legal disclaimer:**

\*Certain technical factors and features of our finishes may be altered due to possible variations in the configuration of your computer and/or printer; these data are therefore only approximate and not definitive. We regularly review our product specifications to improve their characteristics and warranties. Please request detailed information from our sales department for any building or refitting projects.