

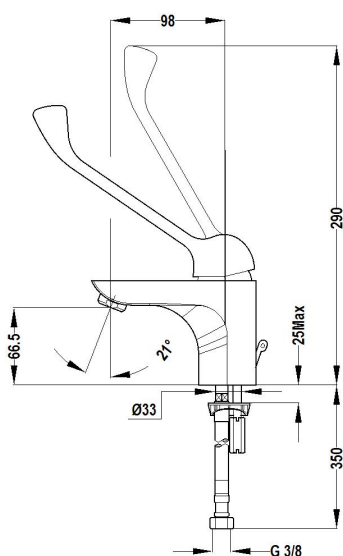


CALVIA

Medical tap

Ref: 323461750 EAN: 8413509228356

Finish: Chrome



- Precise and smooth ceramic cartridge.
- 3/8" flexible inlet pipes included.
- Anti-limescale aerator.
- Without drain stopper.

Downloads

User guide

Legal disclaimer:

*Certain technical factors and features of our finishes may be altered due to possible variations in the configuration of your computer and/or printer; these data are therefore only approximate and not definitive. We regularly review our product specifications to improve their characteristics and warranties. Please request detailed information from our sales department for any building or refitting projects.