

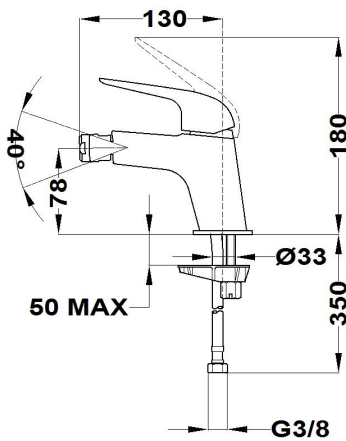


ITACA
Bidet mixer

Ref: 67626020N2 EAN: 8413509235590

Finish: Metallic black

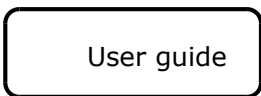
- PVD finish.
- Anti-fingerprint treatment.
- Swivel ball joint.
- 3/8"-1/2" flexible inlet pipes included.
- Anti-limescale aerator.
- Without drain stopper.



Iconos



Downloads



Legal disclaimer:

*Certain technical factors and features of our finishes may be altered due to possible variations in the configuration of your computer and/or printer; these data are therefore only approximate and not definitive. We regularly review our product specifications to improve their characteristics and warranties. Please request detailed information from our sales department for any building or refitting projects.